
BETAETIGER-P-WT (REND. SZ. 070038)

Bent actuator for safety switches NP/GP/TP

- ▶ Actuators made of stainless steel
- ▶ Two stainless safety screws per actuator
- ▶ Actuators with rubber bushings



ISMERTETÉS

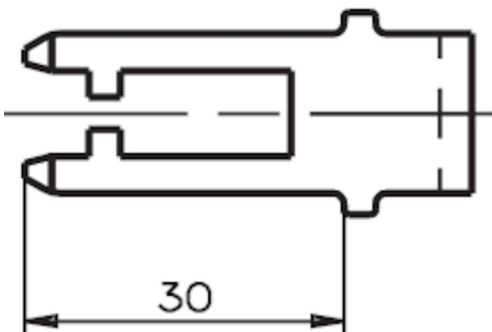
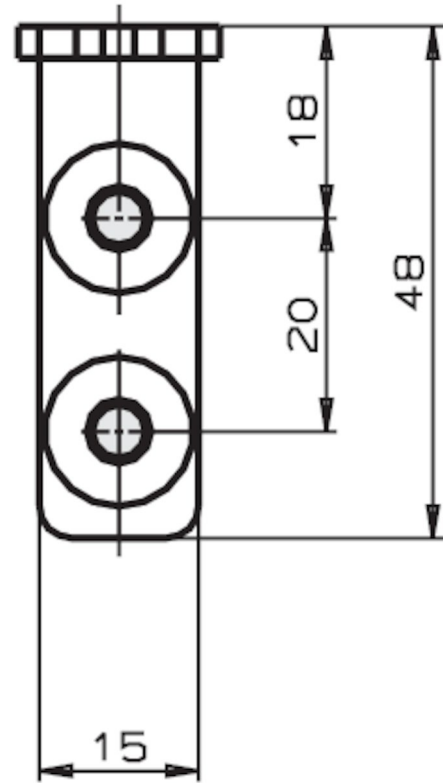
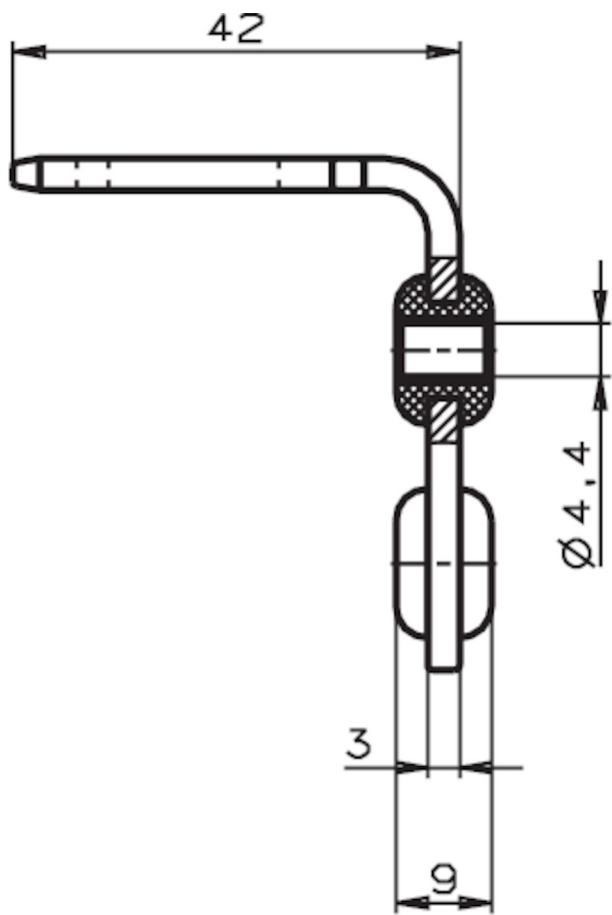
Actuators with rubber bushings

For flexible mounting of the actuator.

Screws made of stainless steel

The safety screws included can be inserted with a normal tool, but cannot be removed again.

Dimension drawing



MŰSZAKI ADATOK

Mechanikai értékek és környezet

Material

rubber bush NBR

Actuator Stainless steel

screw Stainless steel

Door radius min.1000 mm

Overtravel max.2 mm

Egyebek

Usability of insertion funnel No

TARTOZÉKOK

Mounting accessories

Safety screws M4 x 14

074063
M4X14/V100

- ▶ Safety screws M4 x 14
- ▶ Packaging unit 100 pieces

Safety screws M4 x 14, large head

086232
M4X14-NIRO/V100

- ▶ Safety screws M4 x 14 (large head)
- ▶ Packaging unit 100 pieces

Kapcsolatok

🏠 EUCHNER GmbH + Co. KG
Kohlhammerstraße 16
70771 Leinfelden-Echterdingen

☎ +49 711 7597-0

📠 +49 711 753316

✉ info@euchner.de